

# CR-1000 ULPA

ELECTRICALLY OPERATED CLEANROOM VACUUM CLEANER SYSTEM


MODEL CR-1000 ULPA

AVAILABLE WITH SAFE CONTAINMENT CANISTER




Top: CR-1000 with Stainless steel  
 AISI 316 Recovery tank  
 Right: CR-1000 with safe containment  
 canister


**Characteristics:**




Cleanroom compatible




ULPA filter



Safe Containment



Stainless Steel



Low noise level

- Compatible with ISO Class 4 (Former Class 10) Cleanroom conditions. Suitable for pharmaceutical applications.
- ULPA Filter efficiency of 99.999% @ 0.12 micron. Tested: IEST RP-CC001.3. Filtration efficiency of 99.9995% @ 0.18 micron. Tested: IEST RP-CC001.3.
- High performance at a low cost.
- Low noise level: only 60dB(A) at 6.6' (2m)
- Ready to use: ULPA filter and protector housing, paper filter bags and PTFE laminated main cloth filter are included.
- Four wheels for extra manoeuvrability.
- Filter chamber and recovery tank are made of AISI Type 316 Stainless Steel and are autoclavable.
- Available with Tiger-Vac's Safe Containment Canister for the safe collection, containment and disposal of potent compounds. The canister is sealed, a paper filter bag is located on the suction intake and a HEPA filter is located at the exhaust. The entire canister can be disposed of when full.
- Three tool kits are available to choose from:
  1. Standard tool kit, 1¼"/32mm;
  2. ESD Safe tool kit, 1¼"/32mm;
  3. Autoclavable tool kit, 1¼"/32mm.

**Tiger-Vac®**  
 ...The name to vacuum with

Tiger-Vac Inc. (USA)  
 73 S.W. 12 Ave. Bldg. 1, Unit 7  
 Dania, FL 33004  
 USA  
 Tel.: (954) 925-3625  
 Fax.: (954) 925-3626  
 E-mail: sales@tiger-vac.com

Tiger-Vac International Inc.  
 2020 Dagenais Blvd. West  
 Laval, Quebec  
 Canada H7L 5W2  
 Tel.: (450) 622-0100  
 Fax.: (450) 625-3388  
 E-mail: support@tiger-vac.com

**Toll free telephone: 1 800 668-4437 (Fax: 1 800 668-4439)**  
<http://www.tiger-vac.com>

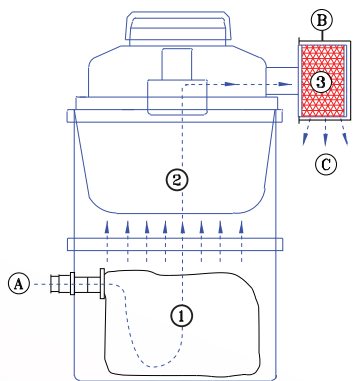
## Technical specifications

| Model  | Phase/Volts<br>60 Hz | Electric current | Electric power | Airflow | Vacuum at sealed orifice           | Recovery capacity                                 |
|--|----------------------|------------------|----------------|---------|------------------------------------|---|
| CR-1000 ULPA   | 1/120                | 8.3 A            | 1 HP           | 96 CFM  | 99" H <sub>2</sub> O               | 4 Gal (15.2 ℓ)<br>Paper filter bag: 2 Gal (7.2 ℓ) |
| Dimensions: L16" (41cm) x W16" (41cm) x H22" (56cm). 19 lbs (8.6 kg) |                      |                  |                |         | Noise level: 60 dB(A) at 6.6' (2m) |   |

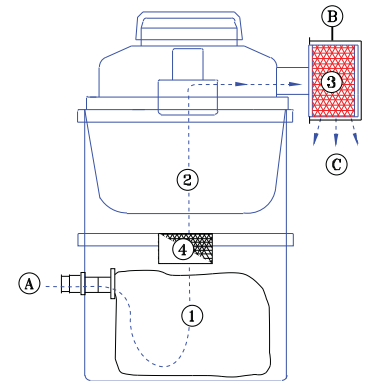
CR-1000 WITH 55316 RECOVERY TANK

CR-1000 WITH SAFE CONTAINMENT CANISTER

### Filtration system:



|   |   |
|---|---|
| 1 | Paper filter bag (pkg. of 5)  |
| 2 | PTFE laminated main cloth filter  |
| 3 | ULPA Filter efficiency of 99.999% @ 0.12 micron. Tested: IEST RP-CC001.3. Filtration efficiency of 99.9995% @ 0.18 micron. Tested: IEST RP-CC001.3. |
| 4 | HEPA Filter efficiency of 99.995% @ 0.3 micron. Tested: IEST RP-CC001.3. Type H14   |
| A | Suction intake  |
| B | ULPA Filter protector housing   |
| C | Clean air exhaust   |

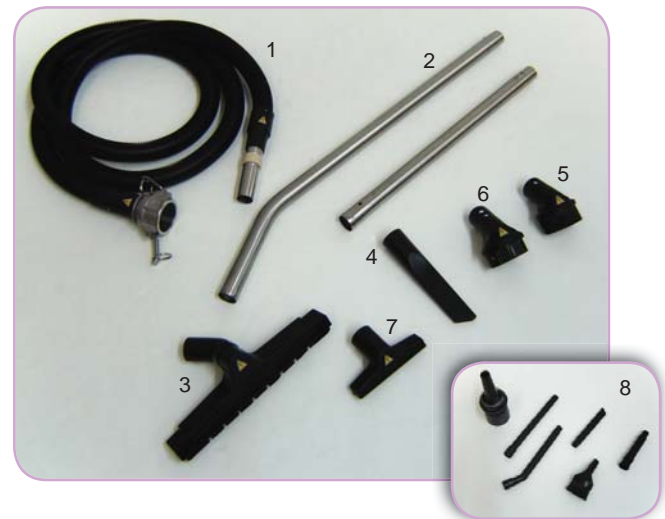


### Ø32mm Standard tools and accessories (Kit #1)

| # | Part number | Description                                 |
|---|-------------|---|
|   | 323600      | Complete tool kit - Standard (kit #1)       |
| 1 | 323606      | Suction Hose Assembly. 8½' (2.6m)           |
| 2 | 323504A     | Extension Wand, telescopic. Made of plastic |
| 3 | 323508      | Floor Tool. 14" (36cm)                      |
| 4 | 323510      | Crevice Tool. 7¾" (20cm)                    |
| 5 | 323514      | Dusting Brush. 3" (8cm)                     |
| 6 | 323512      | Upholstery Tool. 12.7cm                     |

### Ø32mm ESD safe tools and accessories (Kit #2)

| # | Part number | Description  |
|---|-------------|--|
|   | 323602      | Complete tool kit - ESD Safe (kit #2)                |
| 1 | 323608      | ESD safe suction hose assembly. 8½' (2.6m)           |
| 2 | 323331      | Wands, set of 2. One curved and one straight         |
| 3 | 323318A     | Utility Floor Tool with brushes. ESD safe plastic    |
| 4 | 323313A     | Crevice Tool. ESD safe plastic                       |
| 5 | 323312A     | Round Brush. ESD safe plastic                        |
| 6 | 323321A     | Round Tool with rubber blades. ESD safe plastic      |
| 7 | 323314A     | Flat Tool. ESD safe plastic                          |
| 8 | 323316      | Micro Tool Kit. 6 mini attachments. ESD safe plastic |



### Ø32mm Autoclavable tools and accessories (Kit #3)

| # | Part number | Description  |
|---|-------------|--|
|   | 323064      | Complete tool kit - Autoclavable (kit #3)  |
| 1 | 323462      | EDPM Suction hose assembly. Autoclavable. 8½' (2.6m)                                       |
| 2 | 323412      | Floor tool w/nylon wheels and nitrile rubber blades. 12" (30 cm). Stainless steel AISI 304 |
| 3 | 323413      | Crevice tool. 10" (25.4 cm). Stainless steel AISI 304                                      |
| 4 | 323565      | Conical nozzle with curved tip. 10" (25.4 cm). Clear silicone                              |
| 5 | 323331      | Wands, set of 2. One curved and one straight. Stainless steel AISI 304                     |

For complete details please visit our website: [WWW.TIGER-VAC.COM](http://WWW.TIGER-VAC.COM) or contact one of our technical representatives.

Specifications are subject to change without notice. Images are for illustration purposes only. Tiger-Vac is a registered trademark.